

Small Sized Granulator

PROSINO PS-C-M Series Granulators, featuring with compact design and small footprint, are popular granulating machines mainly used in small-scaled recycling facilities, or adopted by some manufacturing plants as a solution of internal waste management. Those small-sized granulators are specialized in granulating/crushing small size plastic (soft plastic & hard plastic) and rubber material, including PET bottles, HDPE sanitary containers, nylon, molding sprues, molding runners, purgings, PP sheets, plastic packaging, rubber rings, rubber sheets etc.. No matter the scrap material before granulating is in the forms of ball, block, strips, or sheets, this series granulators can easily handle it with high efficiency. A screen is mounted at the discharging port of the machine to control the crushed granules below certain size, making the final granules suitable to be processed in next recycling step.

FEATURES

- **Blades made of high-resistant steel**
Ensuring longest usage times
- **Hopper, cutting chamber, and discharging base are separable**
For convenient cleaning, parts replacement, and maintenance
- **Double sound-insulation device in the cutting chamber**
Reducing noise to the minimum
- **Air extraction & collection system is optional**
For conveniently collecting the final granules into bags or containers
- **Blades can be sharpened for several times after getting blunt**
To extend blades' lifespan and save cost
- **Motor over-load protection and interlocking device**
Well protecting machine itself and ensuring operator safety
- **Claw blades and slicing blades are optional according to material characteristics**
Claw blades are most suitable for shredding hard and thick material, while slicing blades are most suitable for shredding soft and thin material.



APPLICATION



- 1. PLASTIC**
PET bottles, HDPE containers, plastic pipes/tubes, nylon scrap, PP sheets, plastic packaging, molding scrap(sprues, runners, purgings)
- 2. RUBBER**
Hoses, Rubber sheet, rubber pad, rubber tube (e.g. tire inner tube), bicycle tire, rubber block, rubber seals
- 3. PAPER**
Cardboard, newspaper, office paper, kraft paper, paper core, cardboard tube, paper packaging
- 4. Wood**
Wood lump, tree branch, slat, wood case

SPECIFICATIONS

MODEL	# OF ROTARY CUTTERS**		# OF STATIONARY CUTTERS	SCREEN SIZE *	ROTOR DIAMETER	MAIN SHAFT SPEED	MAIN MOTOR POWER	MACHINE WEIGHT (approx.)
	CLAW BLADES	SLICING BLADES						
PS-C-M-1823	6 pcs	3 pcs	2 pcs	Φ8mm Φ0.3"	Φ180mm Φ7.1"	1440r/min	4kw 5HP	230kg 506lbs
PS-C-M-2231	9 pcs	3 pcs	2 pcs	Φ8mm Φ0.3"	Φ220mm Φ8.7"	1440r/min	5.5kw 7HP	330kg 726lbs
PS-C-M-2541	12 pcs	3 pcs	2 pcs	Φ8mm Φ0.3"	Φ258mm Φ10.2"	1440r/min	7.5kw 10HP	420kg 924lbs
PS-C-M-3051	15 pcs	N/A	2 pcs	Φ10mm Φ0.4"	Φ300mm Φ11.8"	1460r/min	11kw 15HP	650kg 1430lbs
PS-C-M-3261	18 pcs	N/A	2 pcs	Φ10mm Φ0.4"	Φ322mm Φ12.7"	1460r/min	15kw 20HP	880kg 1936lbs

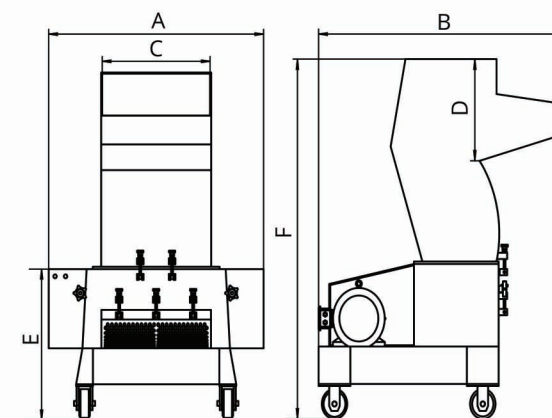
Overall specifications are subject to change without notice. Prosino Granulator sales representative for your inquiry will give you the exact specifications for your quoted machine.

Output is subject to your material's nature, feed speed, and other variables of production beyond the control of Prosino Granulator.

* Screen size can be customized as per need.

** Claw blades and slicing blades are for options, and will be recommended according to your material characteristics

DIMENSIONAL DATA



MODEL	A	B	C	D	E	F
PS-C-M-1823	620mm 24"	980mm 39"	240mm 9"	220mm 9"	580mm 23"	1115mm 44"
PS-C-M-2231	760mm 30"	1065mm 42"	320mm 13"	285mm 11"	620mm 24"	1200mm 47"
PS-C-M-2541	875mm 34"	1180mm 46"	420mm 16"	290mm 11"	650mm 26"	1320mm 52"
PS-C-M-3051	1015mm 40"	1500mm 59"	525mm 21"	330mm 13"	710mm 28"	1445mm 57"
PS-C-M-3261	1135mm 45"	1580mm 62"	620mm 24"	340mm 13"	750mm 30"	1575mm 62"

